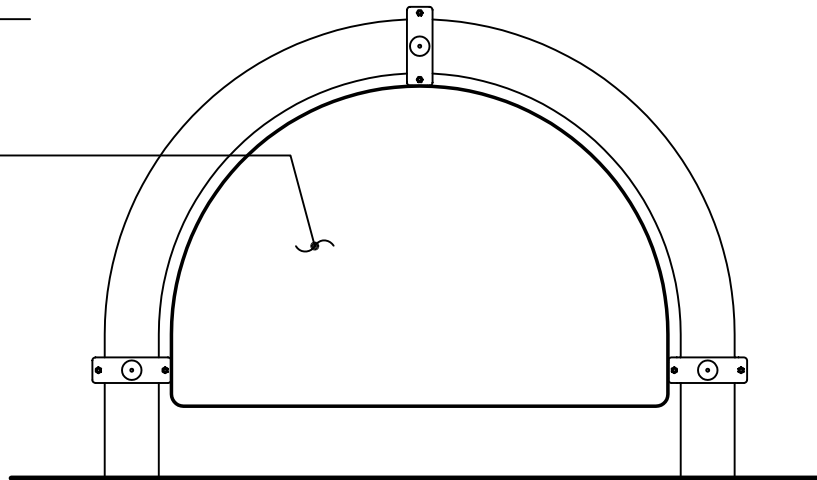


TOP VIEW

3'-2 1/4"  
(972 mm)

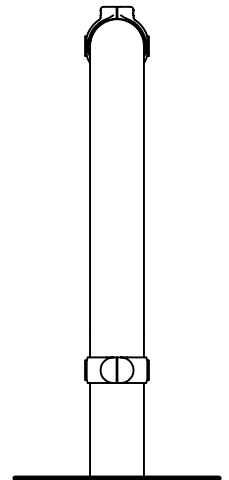
SIGN PANEL



0'-0"

FINISHED GRADE

FRONT VIEW



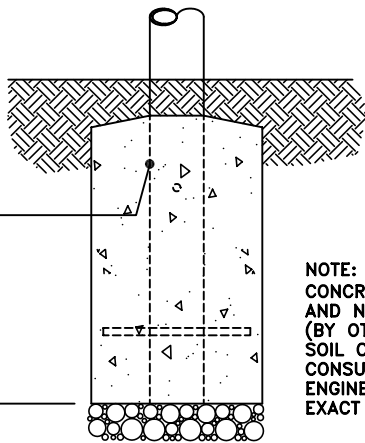
END VIEW

NOTE: SEE DETAILS AT BELOW FOR MOUNTING INDIVIDUAL MODELS.

0'-0"  
FINISHED GRADE

EMBEDMENT FRAME

-(2'-3")  
-(686 mm)



NOTE:  
CONCRETE FOOTING  
AND NO. 4 REBAR  
(BY OTHERS) PER LOCAL  
SOIL CONDITIONS,  
CONSULT PROJECT  
ENGINEER FOR  
EXACT REQUIREMENTS.

2185-4-E (EMBEDMENT MOUNTING)

PEDESTAL MOUNT  
FRAME

BASE COVER  
(TYPICAL-2)

PEDESTAL MOUNT  
BASE  
(TYPICAL-2)

HEX SOCKET  
SET SCREW  
(TYPICAL-6)

5/8" (16 mm) DIAMETER  
HOLES PROVIDED FOR  
ANCHORS BY OTHERS  
(TYPICAL-3, PER BASE)



2185-4-P (PEDESTAL MOUNTING)

This drawing reveals the copyrighted intellectual property of Columbia Cascade Company. Not for use by others without our express, written authorization.

Authorization for use is hereby granted to architects, landscape architects and similar design professionals solely for the purpose of specifying TimberForm products.



**COLUMBIA CASCADE COMPANY**

Makers of TimberForm®, PipeLine®, RePlay®, TimberForm®-2, InterPlay®, CycLoops® and CycLocker® Products.

1300 S.W. Sixth Avenue, Suite 310 Telephone 503/223-1157  
Portland, Oregon 97201-3464 Facsimile 503/223-4530  
U.S.A.

WWW.TIMBERFORM.COM

Title:  
**TIMBERFORM METAL SIGNS  
MODEL NO. 2185-4  
ARCHED METAL SIGN**



Scale  
3/4" = 1'-0"

Drawn by: AT 07-04-10  
Ck'd by:

Drawing No.  
W-2185-4

Sheet  
1 of 1